

8MP (4K) 180° panorama Eyeball (ColorGuard)

Advanced series with hybrid light

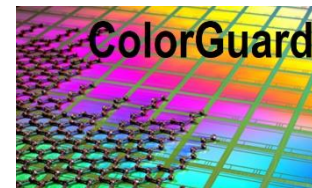
GLCEP-A8028x2 EYEBALL 8MP (4K) 180° panorama camera

Varenr 22495



Features

- ✓ **4K Panorama** High quality image with 8MP, 1/2.5"CMOS sensor
- ✓ **8MP** (4096x1860) @ 20fps
- ✓ The double lens splicing to realize the horizontal viewing angle of 180°
- ✓ **ColorGuard** technology ensures **24-hour full-color** images
- ✓ **NDAA** compliant
- ✓ **Hybrid light** (IR and White LED light)
- ✓ Hi bright red & blue warning light
- ✓ 130dB true WDR technology enables clear image in strong light scene
- ✓ AI edge target classification, smart intrusion prevention significantly reduces false alarm caused by leaves, birds and lights etc., accurately focus on human and, motor vehicle and non-motor vehicle, Intelligent AI People Flow Counting and Crowd Density Monitoring
- ✓ Smart AI intrusion prevention with Color and warm white light
- ✓ Auto Scene Match (ASM) Only WDR
- ✓ Alarm: 1 in/1 out, Audio: 1 in/1 out
- ✓ Built-in speaker and dual microphone
- ✓ 20 simultaneous streams (multi stream)
- ✓ IP67 waterproof, and IK10 vandal proof
- ✓ Support 512 GB microSD card



Specifications

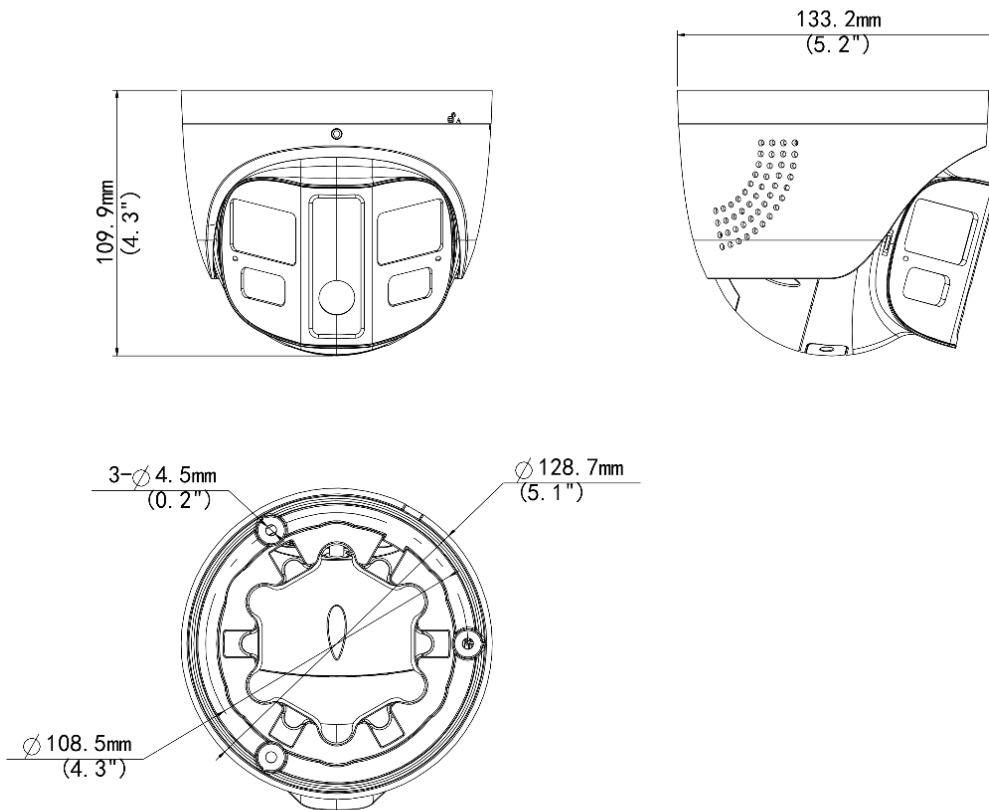
Camera	
Max. resolution	8 MP (4K)
Sensor	1/2.5" CMOS
Min. illumination	Color: 0.0005 lux (F1.0, AGC ON) - 0 Lux with light
Day/night	IR-cut filter with auto switch (ICR)
Shutter	Auto/Manual, 1 ~ 1/100000 s
Adjustment angle	Pan: 0° ~ 360°, Tilt: 0° ~ 75°, Rotate: 0° ~ 360°
S/N	> 52 dB
WDR	130 dB
Lens	
Focal length	2.8 mm
Iris type	Fixed
Iris	F1.0
Field of view (H)	180° panorama
Field of view (V)	65°
Field of View (D)	180° panorama
Lens type	Fixed
DORI	
DORI Distance (Lens)	2.8 mm
DORI Distance (Detect)	63.1 m (206.7ft)
DORI Distance (Observe)	25.2 m (82.7ft)
DORI Distance (Recognize)	12.6 m (41.3ft)
DORI Distance (Identify)	6.3 m (20.7ft)
Illuminator	
Supplemental light	Dual light (IR & Warm white led)
Illumination distance (IR)	30 m
Illumination distance (Warm light)	30 m
IR On/Off control	Auto/Manual/Smart
Wavelength	850 nm
Light On/Off control	Auto/Manual/smart

Video	
Video compression	Ultra 265, H.265, H.264, MJPEG
H.264 code profile	Baseline profile, Main profile, High profile
Frame rate	Main Stream: 8MP (4096x1860), max. 20fps Sub Stream: 2048x936, max. 20fps
Video bit rate	128 Kbps to 16 Mbps
U-code	Support
OSD	Up to 8 OSDs
Privacy mask	Up to 4 areas
ROI	Up to 8 areas
Video stream	Dual Streams (main & Sub)
Simultaneous streams	Up to 20 (multi stream)
Image	
Auto scene match (ASM)	Support (Only WDR)
White balance	Auto, Outdoor, Fine tune, Sodium lamp, Locked, Auto2
Digital noise reduction	2D/3D DNR
Smart IR	Support overexposure control
Flip	N/A
De-warping	N/A
HLC	Support
BLC	Support
Defog	Digital Defog
Image stabilization	N/A
Intelligent AI edge	
Smart intrusion prevention	Cross line detection, intrusion detection, enter area detection, leave area detection (support false alarm filtering and the classification of human, non-motor vehicle and vehicle)
Recognition	N/A
Statistical analysis	People counting, support people flow counting and crowd density monitoring
Attribute collection	SIP with color retrieval
Events AI edge	
Basic detection	Motion detection, Ultra motion detection, Tampering alarm, Audio detection

General function	Watermark, IP address filtering, Access policy, ARP protection, RTSP authentication, User authentication, HTTP authentication, Alarm input, Alarm output
Audio	
Audio compression	G.711U, G.711A
Audio bitrate	64 Kbps
Two-way audio	Support
Suppression	Support
Sampling rate	8 kHz
Storage	
Edge storage	MicroSD, up to 512 GB
Network storage	ANR, NAS (NFS)
Network	
Protocols	IPv4, IPv6, IGMP, ICMP, ARP, TCP, UDP, DHCP, PPPoE, RTP, RTSP, RTCP, RTMP, DNS, DDNS, NTP, FTP, UPnP, HTTP, HTTPS, SMTP, 802.1x, SNMP, QoS, SSL/TLS, SSH
Compatible integration	ONVIF (Profile S, Profile G, Profile T), API, SDK
User/host	Up to 32 users. 3 user levels: administrator, common user and operator
Security	Password protection, Strong password, HTTPS encryption, Export operation logs, Basic and digest authentication for RTSP, Digest authentication for HTTP, TLS 1.2, WSSE and digest authentication for ONVIF
Web client; app & software	APP: GuardEye Software: VMS lite, IP tool & Player
Web browser	Plug-in required live view: IE 10+, Chrome 45+, Firefox 52+, Edge 79+, Plug-in free live view: Chrome 57+, Firefox 58+, Edge 16+
Interface	
Audio I/O	1 input: impedance 35 k Ω , amplitude 2 V [p-p], 1 output: impedance 600 Ω , amplitude 2 V [p-p]
Alarm I/O	1 IN / 1 OUT
Serial port	N/A
Built-in mic	Two microphones
Built-in speaker	Yes
Wi-fi	N/A
Network	1 \times RJ45 10 M/100 M Base-TX Ethernet
Video output	N/A

Certification	
EMC	CE-EMC (EN 55032, EN 61000-3-3, EN IEC 61000-3-2, EN 50130) FCC (FCC 47 CFR part15 B)
Safety	CE-LVD (EN 62368-1) CB (IEC 62368-1) UL/CUL (UL 62368-1, CAN/CSA C22.2 No. 62368-1)
Environment	CE-RoHS (2011/65/EU;(EU)2015/863); WEEE (2012/19/EU)
Protection	IP67 (IEC 60529) IK10 (IEC 62262) vandal proof
General	
Power	DC 12 V \pm 25%, PoE (IEEE 802.3af)
Power consumption	Max 12.6 W
Power interface	\varnothing 5.5 mm coaxial power plug
Dimensions	\varnothing 128.7 x 109.9 mm (\varnothing 5.1"x 4.3") (\varnothing x H)
Weight	0.86 kg (1.9lb)
Material	Metal
Working environment	-30°C to 60°C (-22°F to 140°F), Humidity: \leq 95% RH (non-condensing)
Storage environment	-30°C to 60°C (-22°F to 140°F), Humidity: \leq 95% RH (non-condensing)
Surge protection	4 kV
Reset button	Yes
Web client language	20 Languages Traditional Chinese, English, Simplified Chinese, Polish, German, Russian, French, Korean, Dutch, Czech, Portuguese (Europe), Portuguese (Brazil), Japanese, Thai, Turkish, Spanish (Latin America), Spanish (Europe), Hungarian, Italian, Vietnamese

Dimensions



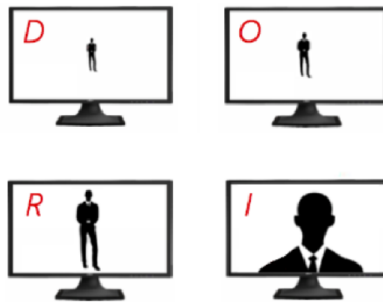
Accessories

GDET-108HB bagdåse	GDET-126HV vægbeslag	GDET-126HVB vægbeslag med bagdåse
Hvid	Hvid	Hvid
		
Varenr. 22905	Varenr. 22914	Varenr. 22915

What is DORI & how to use it in CCTV

In the world of CCTV, **DORI** stands for **D**etection, **O**bservation, **R**ecognition and **I**dentification.

- **Detection** - The detection level allows for reliable and easy determination of whether a person or vehicle is present.
- **Observation** - The observation level gives characteristic details of an individual, such as distinctive clothing, while allowing a view of activity surrounding an incident.
- **Recognition** - The recognition level determines with a high degree of certainty whether an individual shown is the same as someone that has been seen before.
- **Identify** - The identification level enables the identity of an individual beyond a reasonable doubt.



*Product specifications and availability are subject to change without notice.

*Despite our best efforts, technical or typographical errors may exist in this document. Guardeon Security Systems cannot be held responsible for any such errors and reserves the right to change the contents of this document without prior notice.

